

Manual Monitor/Nozzle High-Flow Series Model FJM-100

Features

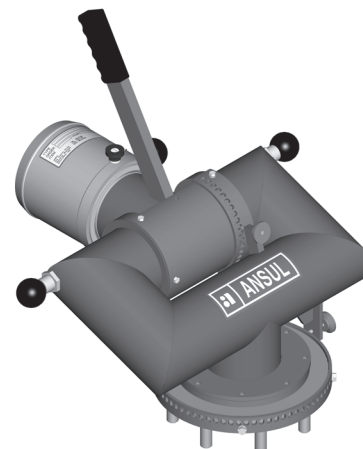
- Powerful unit with exceptional throw characteristics
- Compact and lightweight
- Welded stainless steel monitor construction which allows for use in corrosive environments and minimizes maintenance
- Patented stainless steel slide-bearing system to prevent unwanted movement or swings
- Versatile nozzle patterns in a solid jet or fog spray pattern with water or foam

Description

The FJM-100 series of monitors is designed to deliver approximately 1,600 gpm (6000 Lpm); however, actual flow rate is dependent on nozzle setting and inlet pressure. This monitor is a dual waterway design. The balanced design reduces unwanted torque and swing, while the range of movement is easily operated with dual handles. The S version of the monitor/nozzle is self-educating. The EL/MV version is electric gear motor driven with remote nozzle pattern control. The WTO version is self-oscillating.

Specifications

Waterway:	4 in. (100 mm) nominal		
Sweep (rotation):	Manual: Full 360°, Electric: ± 165°		
Elevation (vertical movement):	Monitor FJM-100	Elevation +90°	Depression -60°
	FJM-100 S	+90°	-45°
	FJM-100 EL/MV	+70°	-70°
	FJM-100 WTO	+90°	-60°
Nozzle:	Integral with monitor		
Nozzle Pattern:	Manual: Adjustable straight to fog Electric: Solenoid valve, water driven hydraulic straight to fog		
Nozzle Flow:	Adjustable by turning deflector and locking		
Material:	Monitor	316L Stainless Steel	
	Nozzle	Bronze	
Finish:	Painted Red		
Stability:	Manual: Lock knobs for sweep and elevation (horizontal and vertical movements, respectively)		
	Electric: Electric gear motors		
Mounting:	4 in., 150 lb ANSI flange standard		
Weight:	FJM-100	49 lb (22 kg)	
	FJM-100 S	53 lb (24 kg)	
	FJM-100 EL/MV	115 lb (52 kg)	
	FJM-100 WTO	71 lb (32 kg)	
Maximum Pressure:	232 psi (16 bar)		
Range:	Up to 265 ft (81 m)		



006500

Application

- Refineries
- Chemical Plants
- Petrochemical Storage
- Marine Tankers/Barges
- Marine Loading Docks
- Loading Docks
- LNG/LPG Storage
- Paper Mills
- Lumber Yards
- Rail Cars
- Coal Storage
- Process Areas
- Fire Trucks/ARFF Vehicles
- Fire Boats
- Aerial Apparatus

Nozzle K-Factors

Turns	K-Factor	
	FJM-100	FJM-100 S
1.5	-	41.6
2	34	54.1
3	47.2	70.1
4	60.4	87.4
5	74.6	104.1
6	86.7	114.5
7	-	123.5
8	106.5	137.4
8.5	-	142.2
10	120.7	-
11.5	131.8	-

$Q = K \sqrt{P}$ $Q = \text{gpm}$ $P = \text{psi}$

FJM-100 Self-Educting Accessories

Part No.	Description	Shipping Weight	
		lb	(kg)
429414	Drum Kit (double)	7	(3.2)
434980	Kit Connection to Drum Kit (required for double drum kit)	2	(0.9)
434982	Tote Connection Kit	3	(1.4)
434983	Vacuum Relief Assembly for Totes	3	(1.4)

Ordering Information

Part No.	Description
431106	FJM-100
431107	FJM-100 S with suction hose*
431108	FJM-100/C EL/MV**
432643	FJM-100 WTO

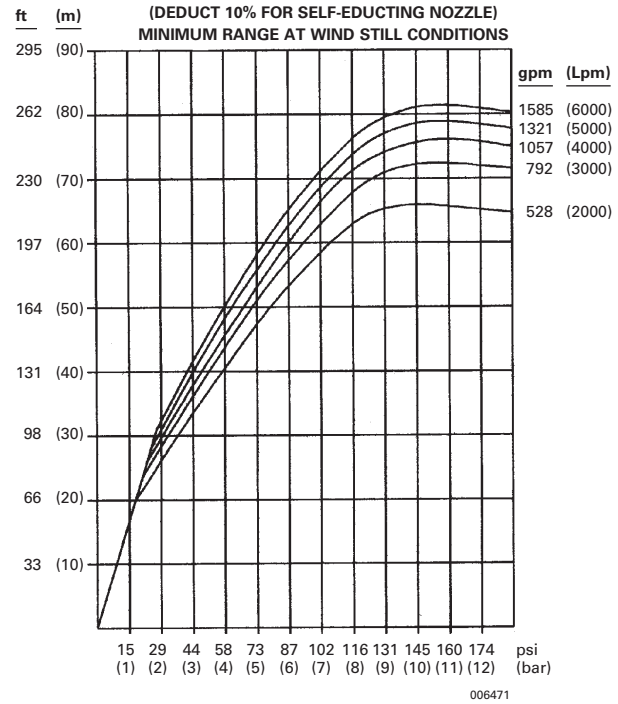
* Specify flow, inlet pressure, concentrate and % concentration (maximum 6%)

** Specify Voltage and current type

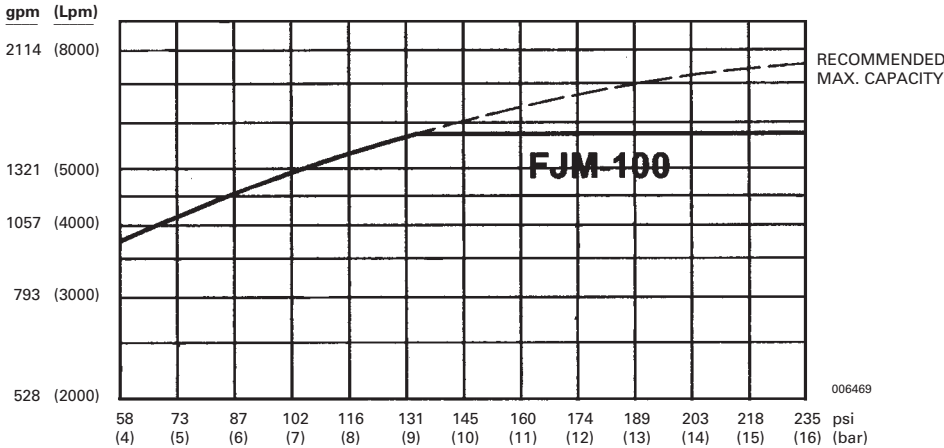
Note: On EL models, electric gear motors, limit switches, terminal box, control unit and joy-stick are included as standard items. Manual override and optional motors (for hazardous locations) are available as options.

For pricing and availability of various electric remote control options, contact Johnson Controls, Technical Services.

FJM-100 Monitor Range of Jet

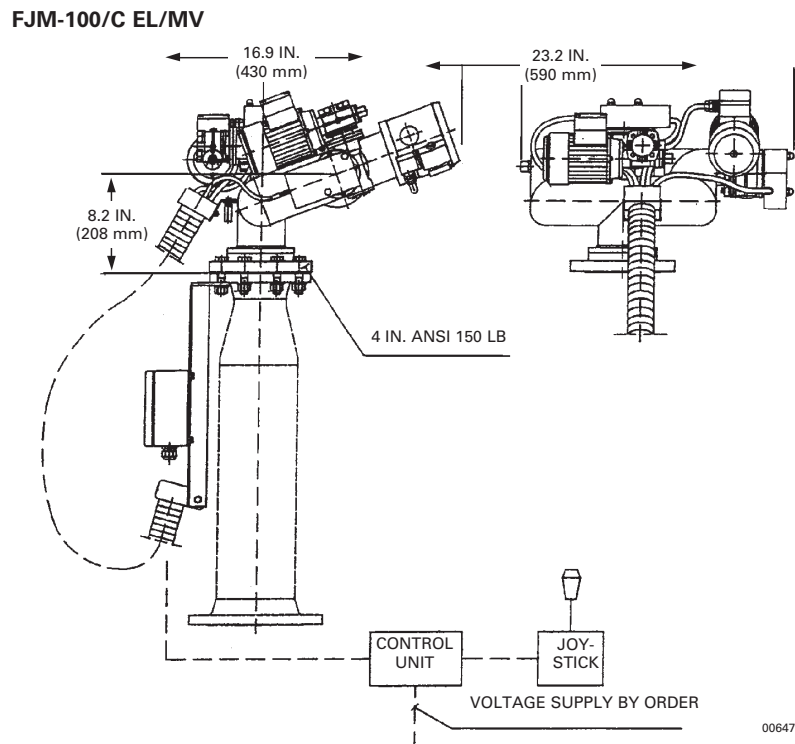
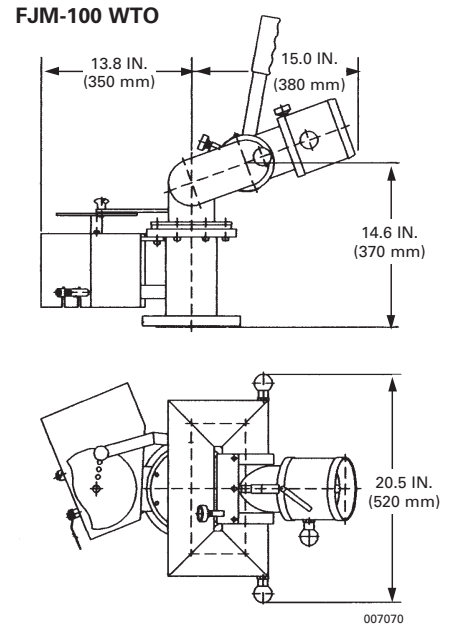
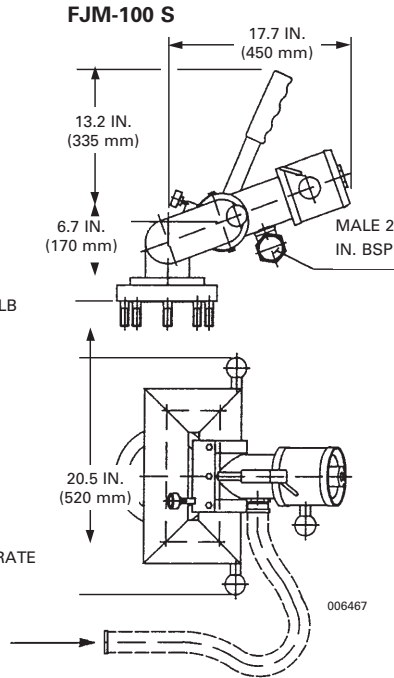
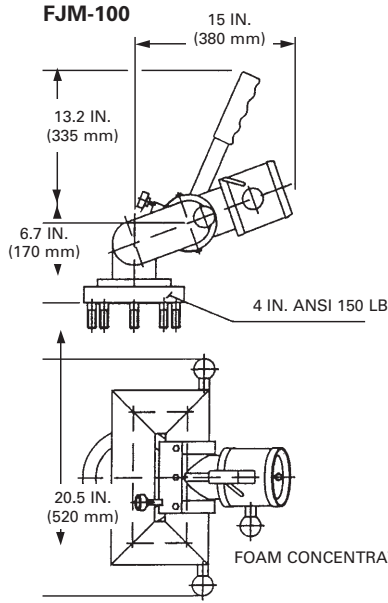


Capacity Ranges for FJM-100 Monitors



Note: The nozzle is an internal part of the monitor; therefore, performance criteria is based upon pressure at the flanged inlet connection.

Drawings of Monitors



Note: The converted values in this document are provided for dimensional reference only and do not reflect an actual measurement. ANSUL and the product names listed in this material are marks and/or registered marks. Unauthorized use is strictly prohibited.

