

Manual Monitor/Nozzle High-Flow Series Model FJM-150

Features

- Powerful unit with exceptional throw characteristics
- Compact and lightweight
- Welded stainless steel monitor construction which allows for use in corrosive environments and minimizes maintenance
- Patented stainless steel slide-bearing system to prevent unwanted movement or swings
- Versatile nozzle patterns in a solid jet or fog spray pattern with water or foam

Description

The FJM-150 series of monitors is designed to deliver approximately 3100 gpm (11,700 Lpm); however, actual flow rate is dependent on nozzle setting and inlet pressure. This monitor is a dual waterway design. The balanced design reduces unwanted torque and swing, while the range of movement is easily operated with dual handles. The S version of the monitor/nozzle is self-educting. The EL/MV version is electric gear motor driven with remote nozzle pattern control. The WTO version is self-oscillating.

Specifications

Waterway:	6 in. (150 mm) nominal		
Sweep (rotation):	Manual: Full 360°, Electric: ± 165°		
Elevation (vertical movement):	Monitor	Elevation	Depression
	FJM-150	+90°	-60°
	FJM-150 S	+90°	-60°
	FJM-150 G	+70°	-70°
	FJM-150 S G	+70°	-50°
	FJM-150 EL	+70°	-70°
	FJM-150 WTO	+70°	-70°
Nozzle:	Integral with monitor		
Nozzle Pattern:	Manual: Adjustable straight to fog Electric: Solenoid valve, water driven hydraulic straight to fog		
Nozzle Flow:	Adjustable by turning deflector and locking		
Material:	Monitor	316L Stainless Steel	
	Nozzle	Bronze	
Finish:	Painted Red		
Stability:	Manual: Lock knobs for sweep and elevation (horizontal and vertical movements, respectively)		
	Electric: Electric gear motors, ball bearings		
Mounting:	6 in., 150 lb ANSI flange standard		



006500

Specifications (Continued)

Weight:	FJM-150	104 lb (47 kg)
	FJM-150 S	110 lb (50 kg)
	FJM-150 G	126 lb (57 kg)
	FJM-150 S G	132 lb (60 kg)
	FJM-150 EL	176 lb (80 kg)
	FJM-150 WTO	137 lb (62 kg)
Maximum Pressure:	232 psi (16 bar)	
Range:	Up to 295 ft (90 m)	

Nozzle K-Factors

Turns	K-Factor	
	FJM-150 G FJM-150 EL FJM-150 WTO	FJM-150 S G
4	105.5	136.0
5	136.0	159.6
6	160.3	185.9
7	182.1	207.5
8	201.9	226.5
10	230.3	254.3
14	256.7	282.4

Q = K √P Q = gpm P = psi

FJM-150 Self-Educting Accessories

Part No.	Description	Shipping Weight	
		lb	(kg)
429414	Drum Kit (double)	7	(3.2)
434980	Kit Connection to Drum Kit (required for double drum kit)	2	(0.9)
434982	Tote Connection Kit	3	(1.4)
434983	Vacuum Relief Assembly for Totes	3	(1.4)

Ordering Information

Part No.	Description
431109	FJM-150
431110	FJM-150 S with 2 in. suction hose*
431111	FJM-150 G
431112	FJM-150 S G with 2 in. suction hose*
431113	FJM-150/C EL/MV**
433235	FJM-150 WTO

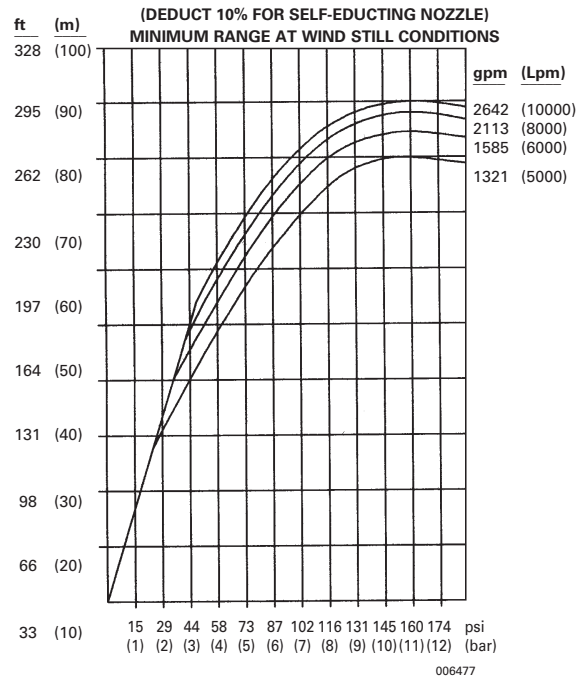
* Specify flow, inlet pressure, concentrate and % concentration ; maximum foam concentrate induction 158 gpm (600 Lpm)

** Specify Voltage and current type

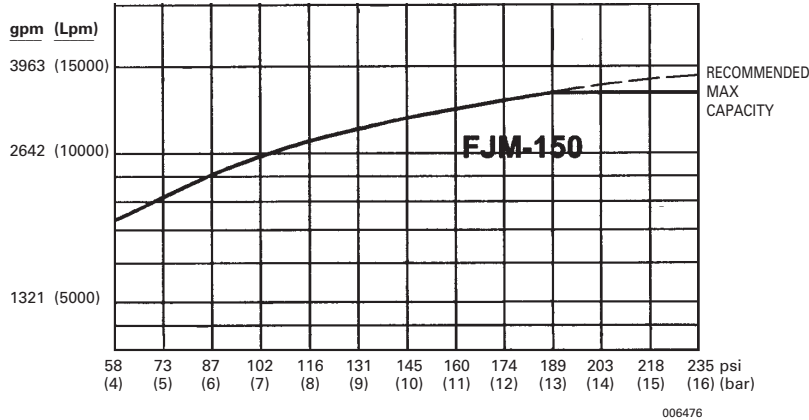
Note: On EL models, electric gear motors, limit switches, terminal box, control unit and joy-stick are included as standard items. Manual override and optional motors (for hazardous locations) are available as options.

For pricing and availability of various electric remote control options, contact Johnson Controls Technical Services.

FJM-150 Monitor Range of Jet

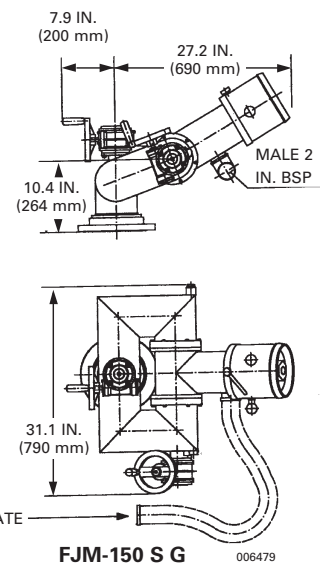
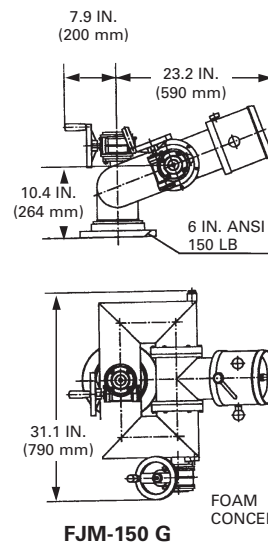
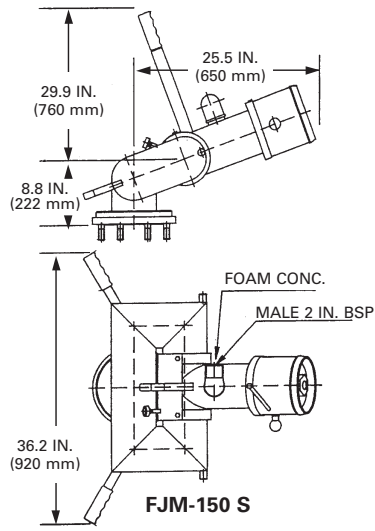
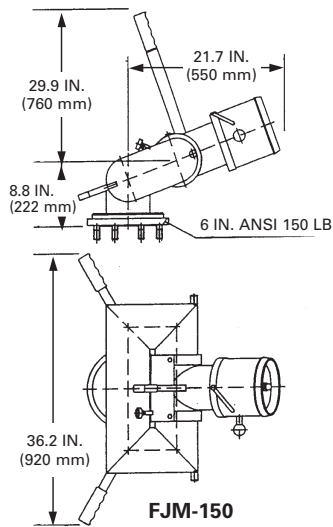


Capacity Ranges for FJM-150 Monitors

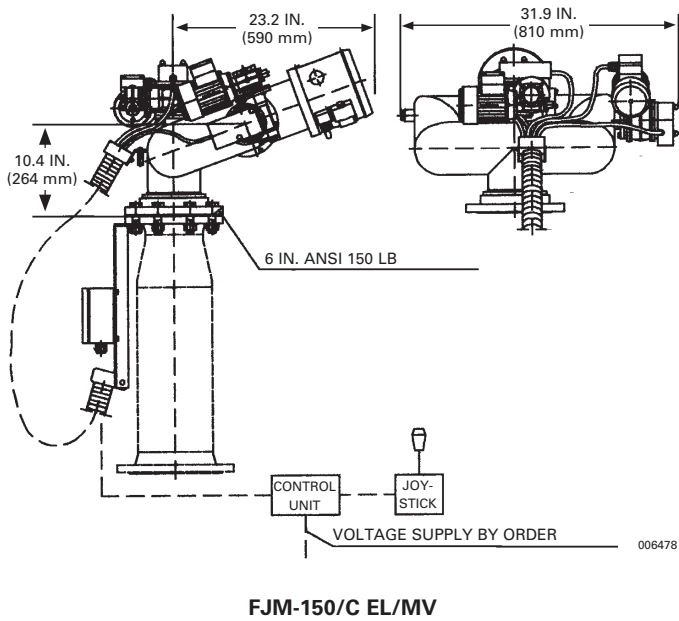


Note: The nozzle is an internal part of the monitor; therefore, performance criteria is based upon pressure at the flanged inlet connection.

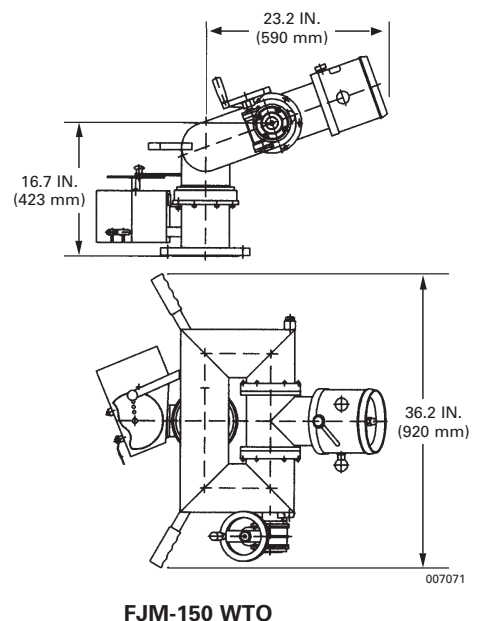
Drawings of Monitors



006479



006478



007071

Note: The converted values in this document are provided for dimensional reference only and do not reflect an actual measurement. ANSUL and the product names listed in this material are marks and/or registered marks. Unauthorized use is strictly prohibited.

