

Manual Monitor/Nozzle High-Flow Series Model FJM-200

Features

- Powerful unit with exceptional throw characteristics
- Compact and lightweight
- Welded stainless steel monitor construction which allows for use in corrosive environments and minimizes maintenance
- Patented stainless steel slide-bearing system to prevent unwanted movement or swings
- Versatile nozzle patterns in a solid jet or fog spray pattern with water or foam

Description

The FJM-200 series of monitors is designed to deliver approximately 5300 gpm (20,000 Lpm), however actual flow rate is dependent on nozzle setting and inlet pressure. This monitor is a dual waterway design. The balanced design reduces unwanted torque and swing, while the range of movement is easily operated with geared hand-wheels. The S version of the monitor/nozzle is self-educing. The G version is gear operated. The EL/MV version is electric gear motor driven with remote nozzle pattern control.

Specifications

Waterway:	8 in. (200 mm) nominal		
Sweep (rotation):	Manual: Full 360°, Electric: ± 165°		
Elevation (vertical movement):	Monitor	Elevation	Depression
	FJM-200 G	+70°	-60°
	FJM-200 S G	+70°	-45°
	FJM-200 EL	+70°	-60°
Nozzle:	Integral with monitor		
Nozzle Pattern:	Manually adjustable straight to fog, water hydraulic driven. Electric: Solenoid valve, water driven hydraulic straight to fog.		
Nozzle Flow:	Adjustable by turning deflector and locking		
Material:	Monitor	316 L Stainless Steel	
	Nozzle	Bronze	
Finish:	Painted Red		
Stability:	Manual Monitors: Worm gear driven Electric Monitors: Electric gear driven		
Mounting:	8 in., 150 lb ANSI flange standard		
Weight:	FJM-200	199 lb (90 kg)	
	FJM-200 S G	205 lb (93 kg)	
	FJM-200 EL	276 lb (125 kg)	
Maximum Pressure:	232 psi (16 bar)		
Range:	Up to 400 ft (122 m)		



006499

Application

- Refineries
- Chemical Plants
- Petrochemical Storage
- Marine Tankers/Barges
- Marine Loading Docks
- Loading Docks
- LNG/LPG Storage
- Paper Mills
- Lumber Yards
- Rail Cars
- Coal Storage
- Process Areas
- Fire Trucks/ARFF Vehicles
- Fire Boats
- Aerial Apparatus

FJM-200 Self-educing Accessories

Part No.	Description	Shipping Weight	
		lb	(kg)
429414	Drum Kit (double)	7	(3.2)
434980	Kit Connection to Drum Kit (required for double drum kit)	2	(0.9)
434982	Tote Connect Kit	3	(1.4)
434983	Vacuum Relief Assembly for Totes	3	(1.4)

Nozzle K-Factor

Turns	K-Factor
5	208.1
6	232.4
7	263.7
9	319.2
11	374.7
13.6	437.1
$Q = K \sqrt{P}$ $Q = \text{gpm}$ $P = \text{psi}$	

Ordering Information

Part No.	Description
431114	FJM-200 G
431115	FJM-200 SG with suction hose*
431116	FJM-200/C EL/MV**

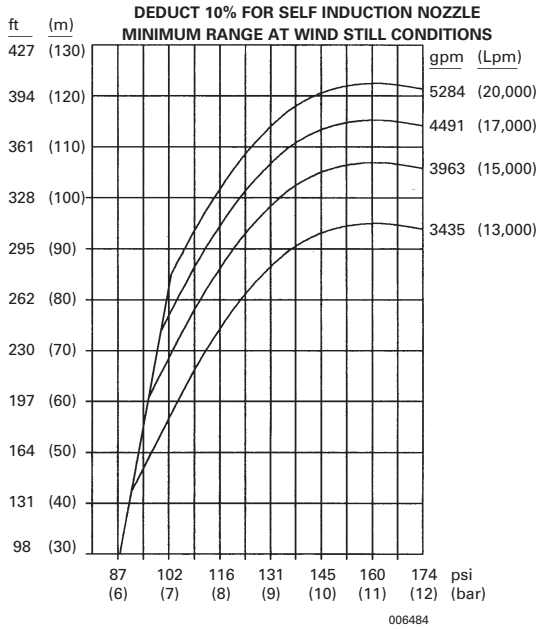
*Specify flow, inlet pressure, concentrate and % concentration, maximum foam concentrate induction 158 gpm (600 Lpm)

**Specify voltage and current type

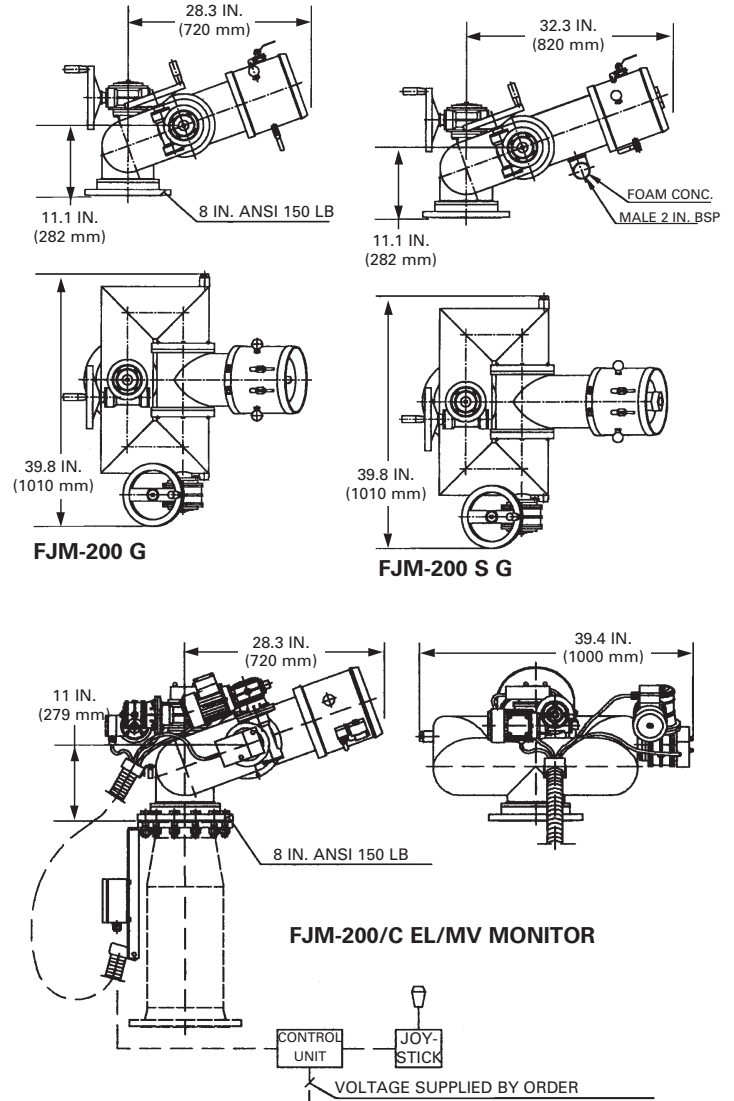
Note: On EL models, electric gear motors, limit switches, terminal box, control unit and joy-stick are included as standard items. Manual override and optional motors (for hazardous locations) are available as options.

For pricing and availability of various electric remote control options, contact Johnson Controls Technical Services.

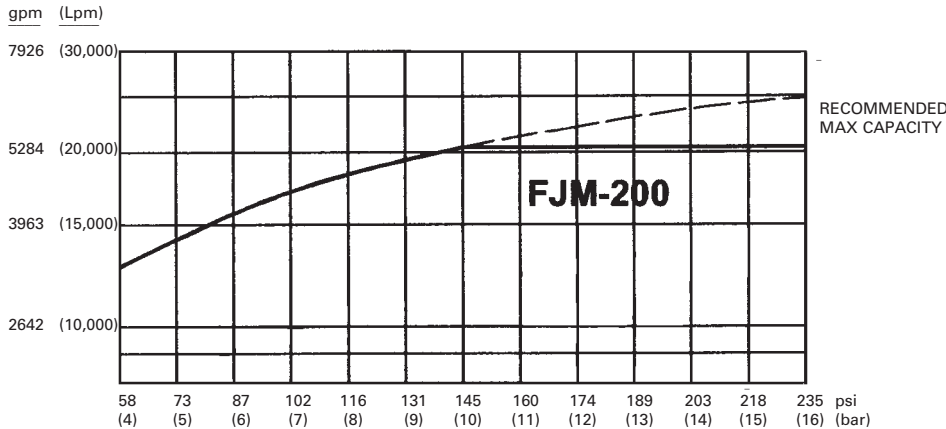
FJM-200 Monitor Range of Jet



Monitor Drawings



Capacity Ranges for FJM-200 Monitors



Note: The converted metric values in this document are provided for dimensional reference only and do not reflect an actual measurement.

ANSUL and the product names listed in this material are marks and/or registered marks. Unauthorized use is strictly prohibited.

006485