

AHR Continuous-Flow Hose Reels

Features

- Heavy gauge welded steel construction
- Hot-dipped galvanized steel
- Greaseless polyethylene bearings
- Lever-action friction brake
- Pre-wound booster hose included
- Manual rim rewind
- USCG approved hose
- Suitable for wall or floor mounting
- Optional hand crank available

Application

ANSUL® continuous-flow hose reels provide immediate operation in firefighting and/or wash-down applications. Whether used in land-based facilities or offshore applications, these hose reels offer the benefits of rugged steel construction with the superior corrosion resistance of hot-dip galvanizing. The continuous-flow hose design offers an advantage over a collapsible hose, as only the amount of hose required is unreeled without kinks or twists. The reels are supplied with a 1 1/2 in. continuous flow booster hose with NH (NST) hose couplings.

Typical applications involving water or firefighting foam include:

- Aircraft hangars
- Helipads
- Truck loading racks
- Chemical processing facilities
- Warehouses
- Offshore platforms
- Shipboard/Marine applications

Description

The continuous-flow hose reel assembly includes the hose reel pre-wound with the desired length of booster hose. This hose is a single, synthetic, reinforced braid booster hose with a 250 psi (17.2 bar) working pressure having a minimum burst pressure of 1000 psi (69.0 bar). Depending on the application, any ANSUL-supplied handline nozzle with 1 1/2 in. NH threads can be used. This includes variable pattern fog/straight stream nozzles suitable for water or AFFF applications, or air-aspirated low and medium-expansion foam nozzles. An optional hand crank is available to convert the standard rim rewind type reel to a hand crank rewind type reel.



007051

Ordering Information

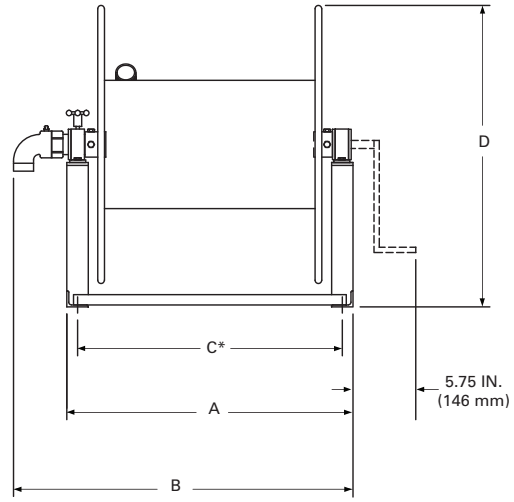
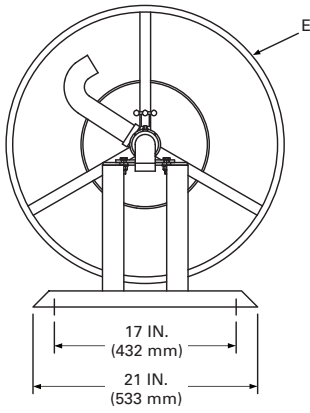
| Part No. | Model No. | Description | Approximate Shipping Weight | |
|----------|-------------|-------------------------------------|-----------------------------|---------|
| | | | lb | (kg) |
| 433077 | AHR-1.5-50 | Hose reel with 50 ft (15.2 m) hose | 128 | (58.1) |
| 433078 | AHR-1.5-75 | Hose reel with 75 ft (22.9 m) hose | 167 | (75.8) |
| 433079 | AHR-1.5-100 | Hose reel with 100 ft (30.5 m) hose | 192 | (87.1) |
| 433080 | AHR-1.5-150 | Hose reel with 150 ft (45.7 m) hose | 257 | (116.6) |
| 433081 | - | Optional hand crank | 7 | (3.2) |



HOSE REEL WITH OPTIONAL HAND CRANK

008987

Dimensions



007053

| Part No. | Model No. | Hose Capacity | | A | | B | | C* | | D | | E | |
|----------|-------------|---------------|--------|-------|-------|-------|-------|-------|-------|------|-------|-----|-------|
| | | ft | (m) | in. | (mm) | in. | (mm) | in. | (mm) | in. | (mm) | in. | (mm) |
| 433077 | AHR-1.5-50 | 50 | (15.2) | 16.75 | (425) | 21.75 | (552) | 14.75 | (375) | 28.2 | (716) | 26 | (660) |
| 433078 | AHR-1.5-75 | 75 | (22.9) | 26.75 | (679) | 31.75 | (806) | 24.75 | (629) | 28.2 | (716) | 26 | (660) |
| 433079 | AHR-1.5-100 | 100 | (30.5) | 26.75 | (679) | 31.75 | (806) | 24.75 | (629) | 28.2 | (716) | 26 | (660) |
| 433080 | AHR-1.5-150 | 150 | (45.7) | 26.75 | (679) | 31.75 | (806) | 24.75 | (629) | 33.2 | (843) | 30 | (762) |

*Center of 1 in. x 13/32 in. (25 mm x 10 mm) slot; suggested bolt size of 3/8 in.

Note: The converted values in this document are provided for dimensional reference only and do not reflect an actual measurement. ANSUL and the product names listed in this material are trademarks and/or registered trademarks. Unauthorized use is strictly prohibited.