

Louvers and Dampers for High-Expansion Foam Generators

Features

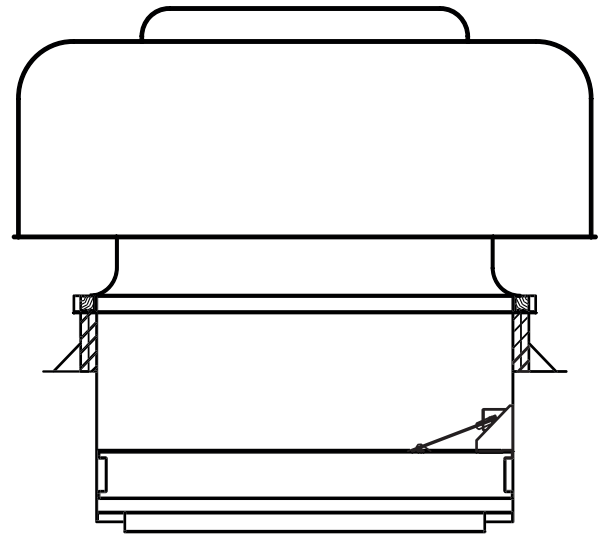
- Wall and roof intake models available for most ANSUL® JET-X High-Expansion Generator models.
- NEMA 4 or NEMA 7 actuators.
- 110 VAC / 60 Hz power on standard models. Other electrical requirements available on request.
- Supplied complete with damper, actuator, roof curb (as applicable), weather hood, and bird screen.

Application

Electric actuated louvers and dampers are available when the use of outside air is required to generate the high-expansion foam blanket. Intake dampers and weather hoods provide a means of supplying outside air to the generator through either the roof or wall of the protected space. Depending on the specific installation, ducting (not designed or supplied by Johnson Controls) may be required to connect the air intake to the high-expansion foam generators. Relief louvers are intended to exhaust air from the protected space when outside air is supplied to the high-expansion foam generators to avoid over-pressure which may decrease foam output.

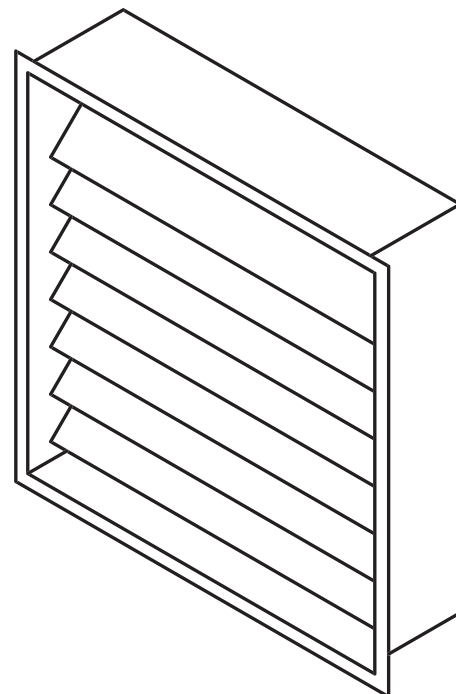
Description

All standard electric louver and damper models are for use with 110 VAC and are held in the closed position when energized. In the event of a power interruption, they are designed to open so the high-expansion foam system will be operable despite the loss of power. Air intake dampers are available for wall or roof mounting and are supplied with a damper with actuator (NEMA 4 or NEMA 7), roof curb if applicable, weather hood, and bird screen. Relief louvers are only available for wall mounting.



DAMPER

010319

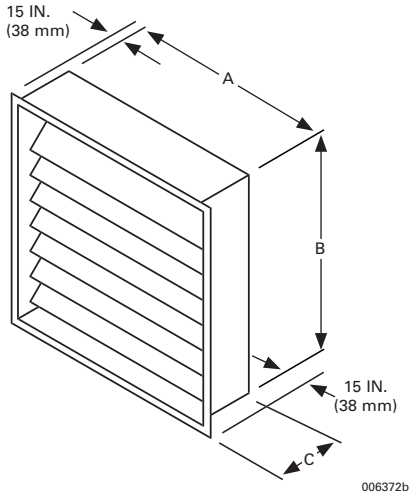


LOUVER

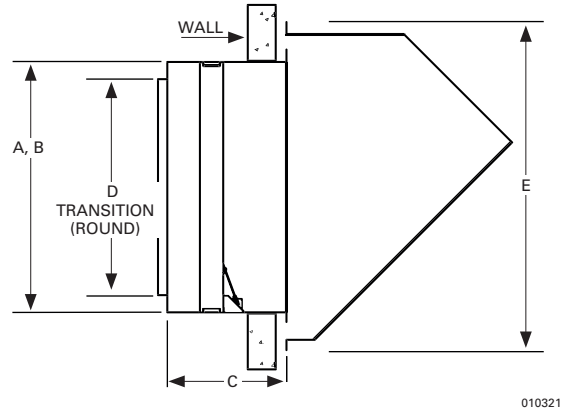
010320

Specifications

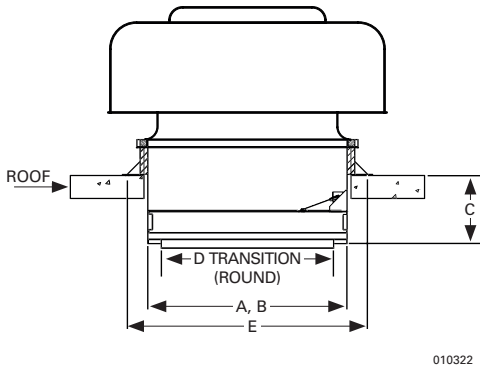
WALL RELIEF LOUVER ASSEMBLY



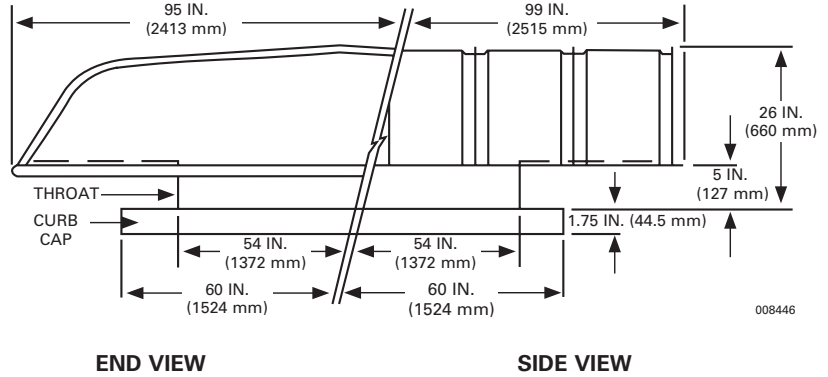
WALL INTAKE DAMPER ASSEMBLY



ROOF INTAKE DAMPER ASSEMBLY



JET-X 27 WEATHER HOOD (included with Part No. 437018/437097)



Ordering Information and Dimensions

Part No	JET-X	Assembly	Clearance Dimensions*							Shipping	
			A	B	C	D	E	lb	(kg)		
Weight**	Model		in. (mm)	in. (mm)	in. (mm)	in. (mm)	in. (mm)	in. (mm)			
NEMA 4 / 7											
430060/430061	5A	Wall Intake Damper	44 (1118)	44 (1118)	24 (610)	42 (1067)	51.8 (1316)	241 (109)			
430062/430063	5A	Roof Intake Damper	46 (1168)	46 (1168)	16 (406)	42 (1067)	57.8 (1468)	285 (129)			
430064/430065	5A	Wall Relief Louver	30 (762)	48 (1219)	6 (152)	—	—	50 (23)			
430066/430067	15/20/27	Wall Intake Damper	54 (1372)	54 (1372)	24 (610)	53 (1346)	57.9 (1471)	315 (143)			
430068/430069	15/20	Roof Intake Damper	54 (1372)	54 (1372)	16 (406)	53 (1346)	65.8 (1671)	360 (164)			
430070/430071	15/20/27	Wall Relief Louver	60 (1524)	84 (2134)	6 (152)	—	—	140 (64)			
437018/437097	27	Roof Intake Damper	54 (1372)	54 (1372)	14 (356)	53 (1346)	62.5 (1588)	525 (238)			

* Actual dimensions of equipment will be approximately 0.25 in. (6.4 mm) smaller than clearance dimensions listed.

** Weights listed are for NEMA 4 models. Add 20 lb (9.1 kg) for NEMA 7 models.

Note: The converted values in this document are provided for dimensional reference only and do not reflect an actual measurement.

ANSUL and the product names listed in this material are marks and/or registered marks. Unauthorized use is strictly prohibited.