

Manual Monitor MM-1000 Series

Features

- Waterway: 3 in. nominal continuous tubing
- Nozzle: Use of Master Stream, Master Foam, or AFN-1 nozzle recommended
- Sweep (rotation): Full 360°
- Elevation: 140° total vertical movement. (+90° elevation, -50° depression)
- Nozzle Threads: Male 2 1/2 in. – 7 1/2 TPI NHT, stainless steel
- Mounting: 3 in., 150 lb ANSI flange standard. Optional 4 in., 150 lb ANSI flange
- Finish: Red polyurethane paint
- Material: Durable carbon steel. Optional stainless steel model available (unpainted)
- Stability: Lock knobs for sweep (rotational) and elevation (vertical) movements
- Weight: 38 lb (17.2 kg) with 3 in. flange; 40 lb (18.1 kg) with 4 in. flange, not including nozzle. Shipping weight: 45 lb (20.4 kg)

Description

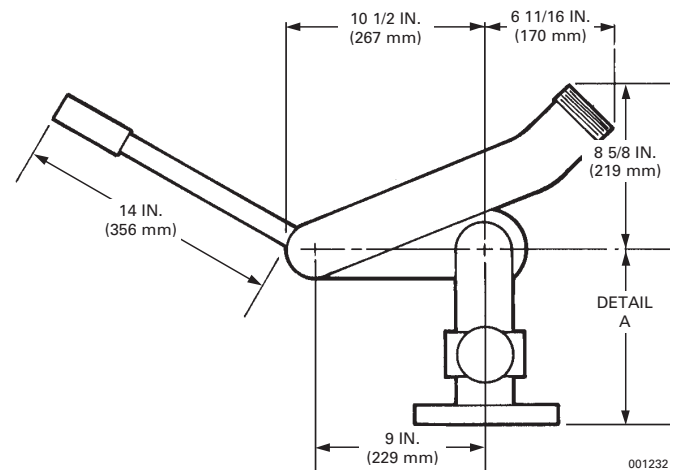
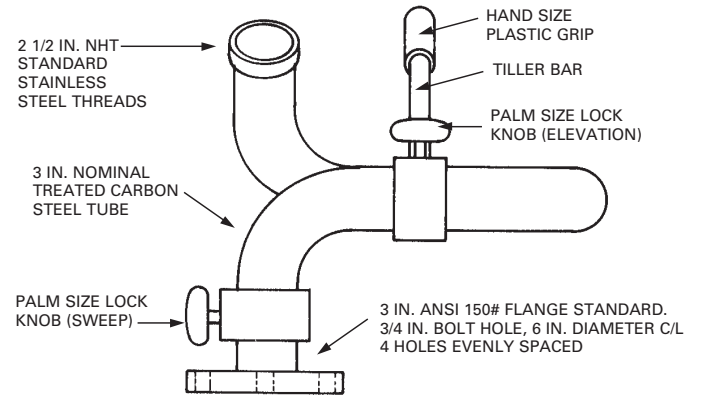
The MM-1000 is designed to deliver approximately 1,000 gpm (3,785 Lpm), however, actual flow rate is dependant on nozzle choice. This monitor is constructed of continuous tubing which produces less friction loss and better stream reach. The balanced design reduces unwanted torque and swing, while the range of movement is easily operated with the single tiller bar.

Ordering Information

Part No.	Description
400276	MM-1000-3 Monitor with 3 in. flange
400286	MM-1000-4 Monitor with 4 in. flange
402825	SS-MM-1000-3 Stainless Steel Monitor with 3 in. flange
402826	SS-MM-1000-4 Stainless Steel Monitor with 4 in. flange

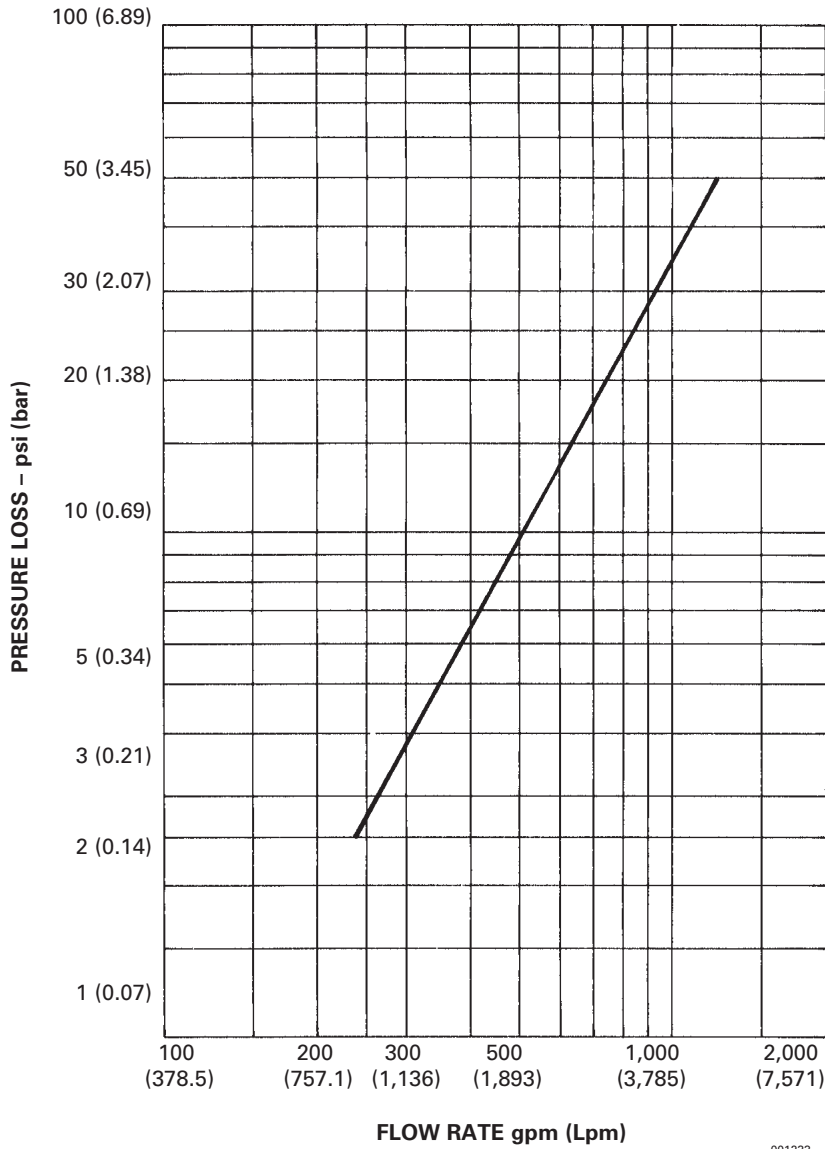
Flange Description

Flange Size	Hole Size	No. of Holes	Center Line Diameter
3 in. (standard)	3/4 in.	4	6 in. evenly spaced
4 in. (optional)	3/4 in.	8	7 1/2 in. evenly spaced



DETAIL A:
3 IN. FLANGE = 10.5 IN. (267 mm)
4 IN. FLANGE = 11.75 IN. (298 mm)

MM-1000 Monitor Friction Loss vs Flow Rate (3 in. Waterway, 4 in. Flange, 2 1/2 in. NH Outlet)



001233

Note: The converted values in this document are provided for dimensional reference only and do not reflect an actual measurement. ANSUL and the product names listed in this material are marks and/or registered. Unauthorized use is strictly prohibited.