

## Air Aspirating Handline Nozzle

### Features

- Stainless steel construction for use in corrosive environments
- Nominal flow rates of 60, 95, or 120 gpm (227, 360, or 454 Lpm)
- Compatible with ANSUL® PL-60, PL-95, and PL-120 Line Proportioners
- Optional pistol-grip shutoff available (anodized aluminum)
- Lightweight, portable design for maximum mobility

### Application

ANSUL® (HL) foam handline nozzles can be used with all low expansion foam agents: protein foam, fluoroprotein foam, and AFFF. These portable, air aspirating nozzles can be used in a variety of flammable liquid hazard areas. Typical applications include use by municipal fire departments and crash-fire-rescue vehicles; or for handline applications around tank farms, loading racks, aircraft hangars, and chemical plants.

### Description

ANSUL® handline nozzles are available in three sizes (HL-60, HL-95, and HL-120) with or without pistol-grip shutoff. The nozzles are constructed of stainless steel; the pistol-grip shutoff is anodized aluminum. Lightweight and compact, they maximize fire fighting mobility and ease of use.

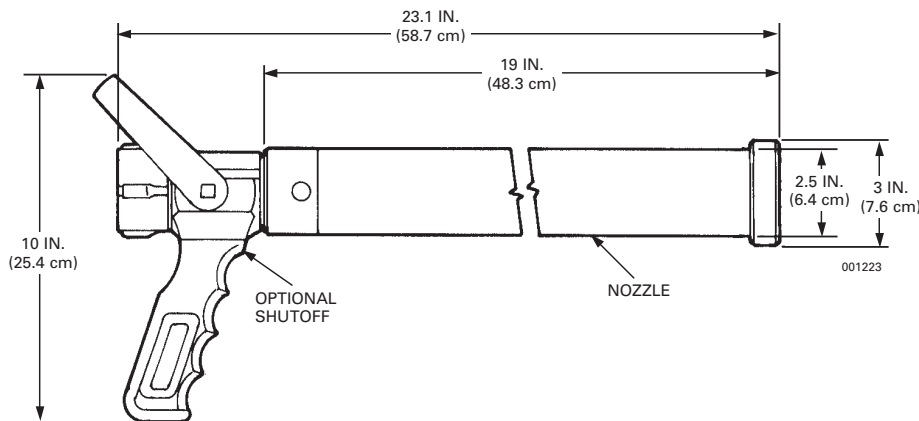
### Typical Foam Quality/Range Data

|                                     | Protein/<br>Fluoro-<br>protein | AFFF              | 3% ARC            |
|-------------------------------------|--------------------------------|-------------------|-------------------|
| Foam Expansion Ratio                | 8:1                            | 10:1              | 7:1               |
| Drain Time (25%)                    | 7 min.                         | 3 min.            | 8 min.            |
| Stream Range @<br>50 psi (345 kPa)  | 50 ft<br>(15.2 m)              | 50 ft<br>(15.2 m) | 50 ft<br>(15.2 m) |
| Stream Range @<br>75 psi (517 kPa)  | 65 ft<br>(19.8 m)              | 65 ft<br>(19.8 m) | 65 ft<br>(19.8 m) |
| Stream Range @<br>100 psi (690 kPa) | 75 ft<br>(22.9 m)              | 75 ft<br>(22.9 m) | 75 ft<br>(22.9 m) |

### Hose Length/Size Data

| Handline Nozzle | Line Proportioner | Hose Size in. | Maximum Hose Length*<br>ft (m) |
|-----------------|-------------------|---------------|--------------------------------|
| HL-60           | PL-60             | 1 1/2         | 200 (61.0)                     |
| HL-95           | PL-95             | 1 1/2         | 100 (30.5)                     |
| HL-120          | PL-120            | 1 1/2         | 100 (30.5)                     |

\* Maximum hose length is based on nozzle being elevated a maximum of 8 ft (2.4 m) above line proportioner.



## Ordering Information

The models listed below are provided with 1 1/2 in. NHT female inlet threads. Other thread types are available upon request. The flow rates listed are nominal; see Flow Rate Data for actual flow rates based on inlet pressure.

| Part No. | Description                                      | Approximate Shipping Weight |       |
|----------|--|-----------------------------|-------|
|          |  | lb                          | (kg)  |
| 77796*†  | HL-60 Nozzle without Shutoff, 60 gpm (227 Lpm)   | 5                           | (2.3) |
| 77792*   | HL-60S Nozzle with Shutoff, 60 gpm (227 Lpm)     | 7                           | (3.2) |
| 77797*†  | HL-95 Nozzle without Shutoff, 95 gpm (360 Lpm)   | 5                           | (2.3) |
| 77793*   | HL-95S Nozzle with Shutoff, 95 gpm (360 Lpm)     | 7                           | (3.2) |
| 77981†   | HL-120 Nozzle without Shutoff, 120 gpm (454 Lpm) | 5                           | (2.3) |
| 78419    | HL-120S Nozzle with Shutoff, 120 gpm (454 Lpm)   | 7                           | (3.2) |
| 420076   | Optional 1 1/2 in. Ball Shut-Off Valve           | 4                           | (1.8) |

\* UL Listed

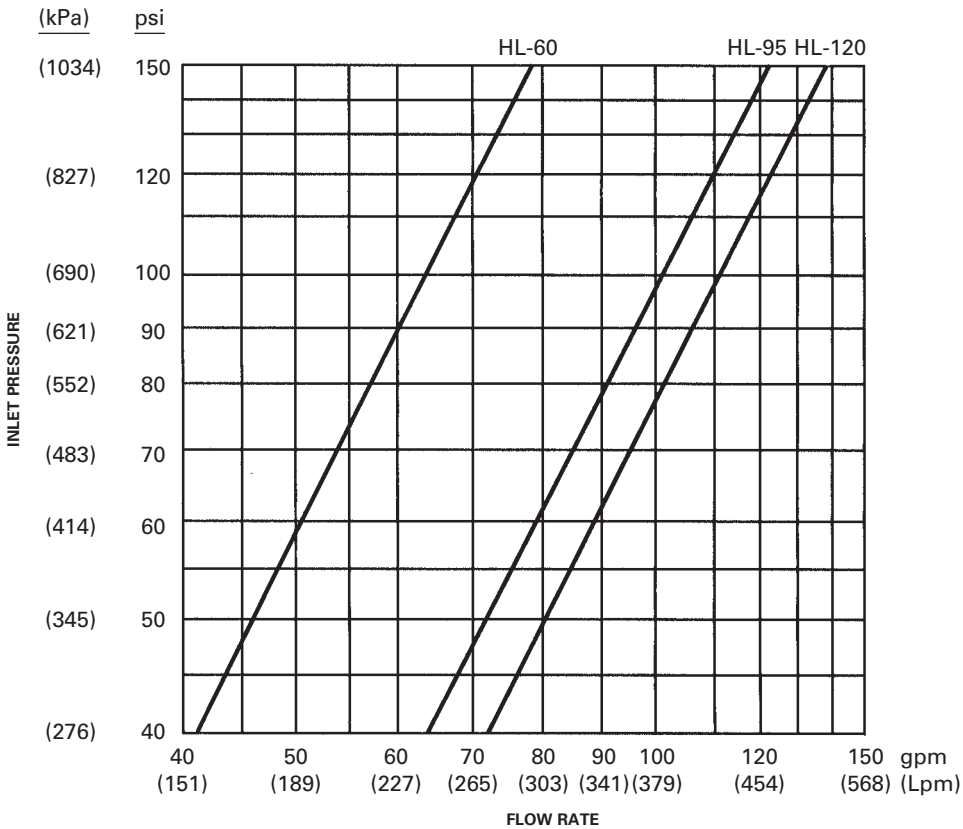
† USCG Approved

## Flow Rate Data 3x3 AR-AFF (A336 USCG)

| Description   | Flow    | Minimum Inlet Pressure (psi) | Maximum Hose Length* (ft) | Hose Size (in.) |
|---------------|---------|------------------------------|---------------------------|-----------------|
| HL-60 Nozzle  | 60 gpm  | 50                           | 100                       | 1.5             |
| HL-95 Nozzle  | 95 gpm  | 50-150                       | 100                       | 1.5             |
| HL-120 Nozzle | 120 gpm | 100-150                      | 100                       | 1.5             |

\*Maximum hose length is based on nozzle being elevated a maximum of 8ft above line proportioner

## Flow Rate Data



001224

**Note:** The converted metric values in this document are for dimensional reference only and do not reflect an actual measurement.

ANSUL® and the product names listed in this material are marks and/or registered marks. Unauthorized use is strictly prohibited.