

Features

Provides Temporal Code 4 (TC4) NAC (Notification Appliance Circuit) control for Carbon Monoxide (CO) gas warning:

- The TC4 CO gas warning is a repeated sequence of four cycles of 100 msec on with 100 msec off, followed by 5 seconds off per NFPA 720, *Standard for the Installation of Carbon Monoxide (CO) Warning Equipment in Dwelling Units*
- Compatible appliances includes: CO Sounder Bases 4098-9771 and 4098-9798, 4901-9820 Horn (set for free-run), 49CMT Series multi-tone horns (set for free-run horn tones), and 4903 Series 4-wire A/V appliances horn input (*not compatible with SmartSync horn control appliances*)

Compatible equipment NAC sources:

- AUTOPULSE Z20
- Simplex 4007ES Hybrid, 4010ES, 4100ES, and 4100U NAC outputs
- 4009 IDNet NAC Extender NAC outputs
- Each module requires an input NAC that powers the 3A rated output NAC for control of compatible audible notification appliances only (*not for strobes*)

Three selectable operation modes:

- Synchronized operation** allows a separate and dedicated control NAC to both activate and synchronize the Temporal Code 4 output timing of up to 20, 4905-9835 modules
- Unsynchronized operation** also allows the separate and dedicated control NAC to activate the Temporal Code 4 output timing of up to 20, 4905-9835 modules, but without synchronization between the modules
- Stand-Alone operation** allows the input NAC in alarm to activate Temporal Code 4 timing for NACs dedicated for CO gas alarm; no fire alarm signals are available, no control NAC is used
- For both Synchronized and Unsynchronized modes, when the control NAC is off, the module output NACs will follow the fire alarm signals of the input NAC
- NOTE:** For TC4 output, both the input NACs and the control NACs requires a Steady On signal

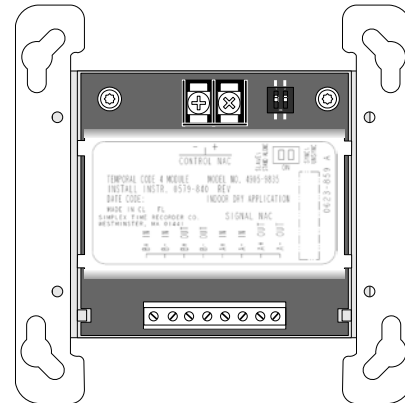
Compact, sealed construction:

- Mounts in standard 4" square electrical box
- Compatible with Adapter Plate 4090-9813 to fit 4 11/16" (119 mm) square electrical boxes
- Screw terminals for wiring connections

Listed to UL 864 and ULC S527

Description

CO gas alarm warnings are required to be different from fire alarm warnings. In the event of a CO gas alarm, the presence of a Temporal Code 4 audible signal pattern identifies the type of condition to the responders to assist in determining the proper actions to be taken.



4905-9835 Temporal Code 4 Module
(shown approximately 1/2 size)

Description (Continued)

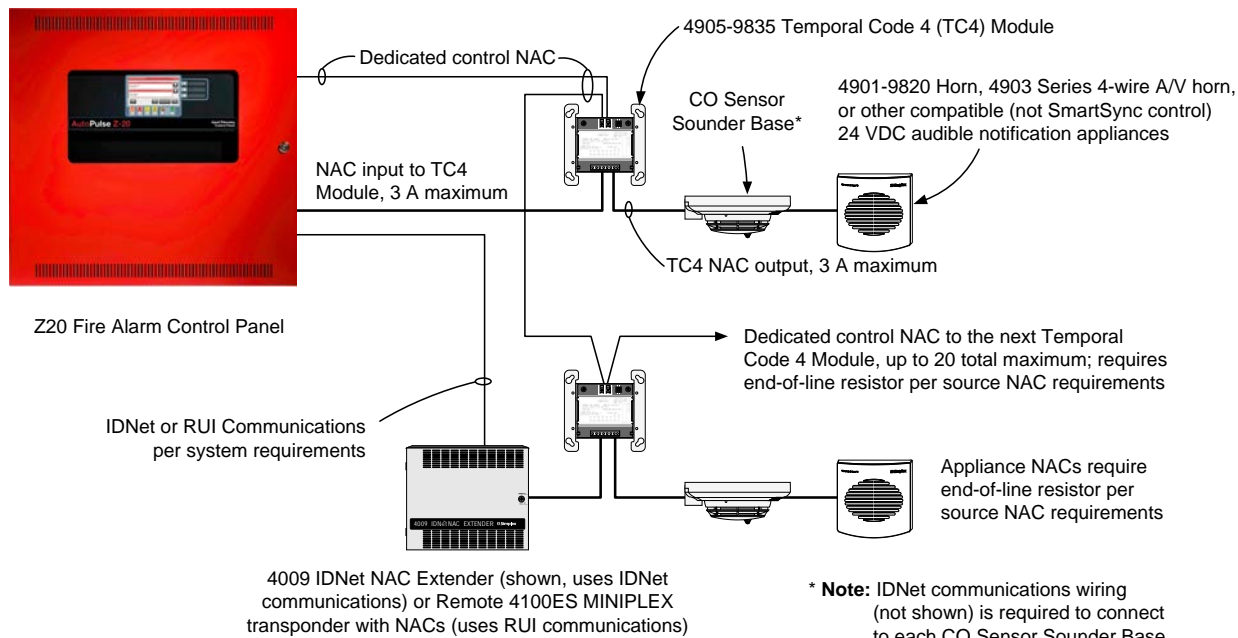
CO gas alarm, or fire alarm. Use of the 4905-9835 Temporal Code 4 Module allows the NFPA 720 Temporal Code 4 signal to be generated using a standard Steady On audible appliance NAC input. Under the fire alarm panel's control, the audible notification signal can be selected for a conventional fire pulse pattern for a fire alarm condition, or the Temporal Code 4 pattern can be activated for a CO gas alarm condition.

Specifications

NAC Control	For 24 VDC NACs, up to 3 A maximum, limited by input NAC rating; for control of audible notification appliances compatible with TC4 code pulse duty cycle
Input NAC Current Requirements	Supervisory current = 0.18 mA
	Alarm current = 15 mA
Control NAC Current Requirements	Supervisory current = 0 mA
	Alarm current = 3 mA
Mounting Distance to input NAC Source	Mount close-nipped, 20 ft (6 m) maximum distance
Wire Connections	Screw terminals for in/out wiring, 18 to 12 AWG wire (0.82 to 3.31 mm ²)
Dimensions	4" x 4 1/8" x 1 3/8" D (102 mm x 105 mm x 35 mm)
Mounting Plate Material	Sheet metal, galvanized
Temperature Range	32° to 120° F (0° to 49° C), intended for indoor operation
Humidity Range	Up to 93% RH at 100° F (38° C)

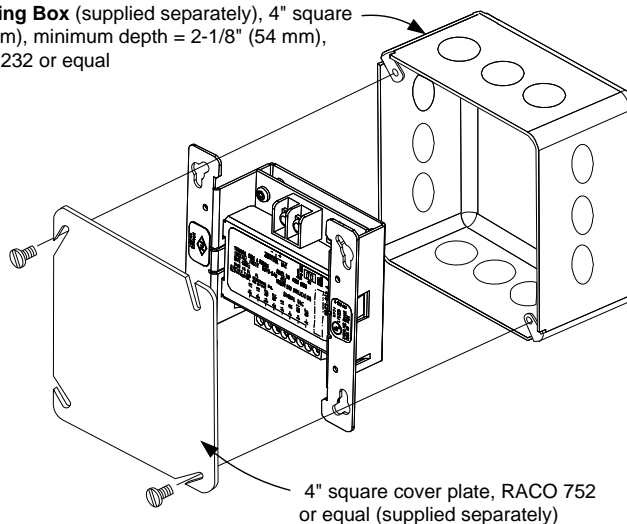
* This product has been approved by the California State Fire Marshal (CSFM) pursuant to Section 13144.1 of the California Health and Safety Code. See CSFM Listing 7300-0026:328 for allowable values and/or conditions concerning material presented in this document. This product was not accepted by MEA (NYC) as of document revision date. Additional listings may be applicable; contact your local Simplex product supplier for the latest status. Listings and approvals under Simplex Time Recorder Co. are the property of Tyco Fire Protection Products.

System Connection Reference



Mounting Reference

Mounting Box (supplied separately), 4" square (102 mm), minimum depth = 2-1/8" (54 mm), RACO 232 or equal



Additional Reference

Product	Data Sheet	Product	Data Sheet
AUTOPULSE Z-20 Detection System Agent Release Fire Control Panel	T-2016171	AUTOPULSE 4090-9116 Addressable IDNet Communications Isolator	T-2016178
AUTOPULSE TrueAlarm Analog Sensors – Photoelectric and Heat; Standard Bases and Accessories	T-2016183	AUTOPULSE E-Series Analog Heat Sensor 4098-9733E and Bases for Extended Exposure to High Humidity	T-2016186
AUTOPULSE Dual Address Bases for Multi-Sensor 4098-9754, Standard and Sounder	T-2016185	AUTOPULSE IDNet or MAPNET II Communicating Devices; Addressable Manual Stations for Releasing Applications	T-2016190
AUTOPULSE IDNet Addressable Devices, Model 4090-9007 Signal IAM (Individual Addressable Module)	T-2016191		

TYCO, AUTOPULSE, SIMPLEX, and the product names listed in this material are marks and/or registered marks. Unauthorized use is strictly prohibited. NFPA is a trademark of the National Fire Protection Association.

AutoPulse

T-2016293-1 10/2016

© 2016 Tyco Fire Protection Products. All rights reserved. All specifications and other information shown were current as of document revision date and are subject to change without notice.