

# ANSUL® Self-Educting Master Foam Nozzles

## Features

- Superior range
- Excellent/accurate foam proportioning
- Performance proven
- Hard-coat anodized aluminum construction
- Includes fittings and hoses
- Optional two drum application

## Description

The ANSUL® Master Foam Nozzle is an accurate and durable self-educting foam nozzle with superior stream quality and reach. This monitor nozzle is available in 350, 500, or 750 gpm (1325, 1893, or 2839 Lpm) at 100 psi (7 bar). The fog angle is user adjustable between 120° wide fog and straight stream. The nozzle's baffle is easily removed for flushing debris.

The standard swivel coupling is 2.5 in. (64 mm) NH female threads. The simple flow geometry (patent pending) can educt foam concentrate at 0.5%, 1%, 3%, or 6% with no small passages to clog. Percentage is easily set with an interchangeable orifice plate. A set of calibrated foam orifice plates is included.

Nozzles come with an industrial grade UV resistant, 10 ft (3.05m) long, 1.5 in. (38 mm) diameter concentrate hose with cam lock fittings for quick and secure attachment to the nozzle and a foam tote. The simple and basic design requires no grease or other maintenance. The halo ring/stream shaper is made from non-corroding high temperature polymer. The rubber bumper is UV resistant. The self-educting master foam nozzle is constructed with UNS A03560 alloy heat treated to T6 and hard-coat anodized per military specification MIL-A-8625F Type III, Class 1.

ANSUL® Self-Educting Master Foam Nozzles are recommended for use with the ANSUL Protector Station Monitor, MM-1000 monitors, or SS-MM-1000 monitors.

Refer to the reverse side for accessories.



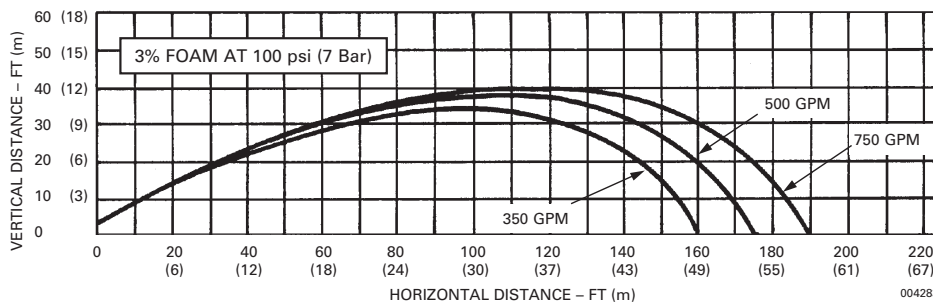
009845

## Ordering Information

Part No.	Description	ANSULITE Concentrate	Length in. (mm)	Weight lb (kg)
427460	Self-Educting Nozzle, 350 gpm (1325 Lpm), 2 1/2 in. NH	0.5, 1, 3, 6%, A334-LV 3 x 3 AR-AFFF	10 1/2 (267)	14 (6.4)
427461	Self-Educting Nozzle, 500 gpm (1893 Lpm), 2 1/2 in. NH	0.5, 1, 3, 6%, A334-LV 3 x 3 AR-AFFF	10 1/2 (267)	14 (6.4)
427462	Self-Educting Nozzle, 750 gpm (2839 Lpm), 2 1/2 in. NH	0.5, 1, 3, 6%, A334-LV 3 x 3 AR-AFFF	10 1/2 (267)	14 (6.4)

Each nozzle is shipped with a concentrate hose and a complete set of foam orifice plates. Spare concentrate hose and orifice plate sets are also available as follows:

Part No.	Description
472882	Spare concentrate hose
446596	Spare foam orifice set for 350 gpm (1325 Lpm) nozzle
446597	Spare foam orifice set for 500 gpm (1893 Lpm) nozzle
446598	Spare foam orifice set for 750 gpm (2893 Lpm) nozzle



004283

## Accessories

### Single and Dual Drum Kits

A drum kit provides a connection between an ANSUL® Master Foam Nozzle and a 55 gal (208 L) foam drum, allowing the nozzle to be used instantly. Each corrosion-resistant kit includes a PVC pick-up tube and fittings, brass valve, and an industrial grade UV resistant, 10 ft (3.05 m) long, 1.5 in. (38 mm) diameter hose with glass filled polypropylene camlock fittings, and a vacuum relief valve.

A drum kit installs in the 2 in. (51 mm) NPT opening in the drum. The quick connect attached to the end of the hose allows easy changing of drums. A drum kit can be screwed out of an empty drum and screwed into a full drum without tools to remove the hose.

A dual drum kit is available when additional foam supply is required. A dual drum kit includes the single drum kit plus a pick up tube, valve, tee, quick connects and a 4 ft (1.2 m) length of hose with quick connects to provide the same convenience of use as the single drum kit.

The vacuum relief valve installs into the 3/4 in. (20 mm) NPT thread in the 2 in. (51 mm) buttress threaded drum cap. A hole must be cut into the cap at the base of the 3/4 in. (20 mm) threads. The cap/vacuum valve assembly is reusable when replacing drums.

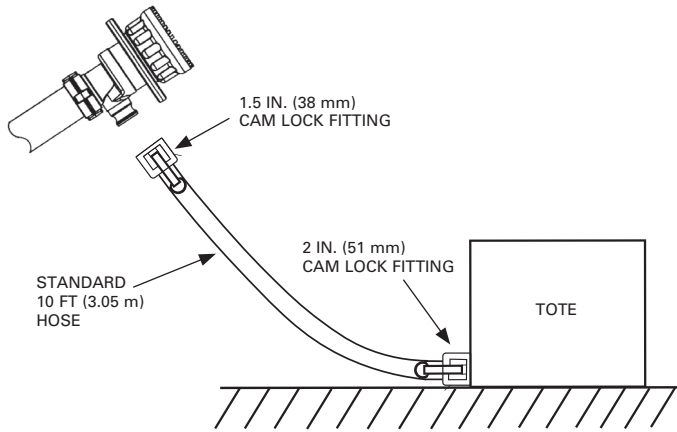
## Ordering Information - Accessories

Part No.	Description	Length in. (mm)	Approximate Shipping Weight	
			lb	(kg)
428925	Single Foam Drum Kit	45 (1140)	9	(4.0)
428926	Add-on Foam Drum Kit	45 (1140)	12	(5.0)
429414*	Dual Foam Drum Kit	45 (1140)	21	(10.0)
434983	Vacuum Relief Assembly for Totes		1	(0.5)

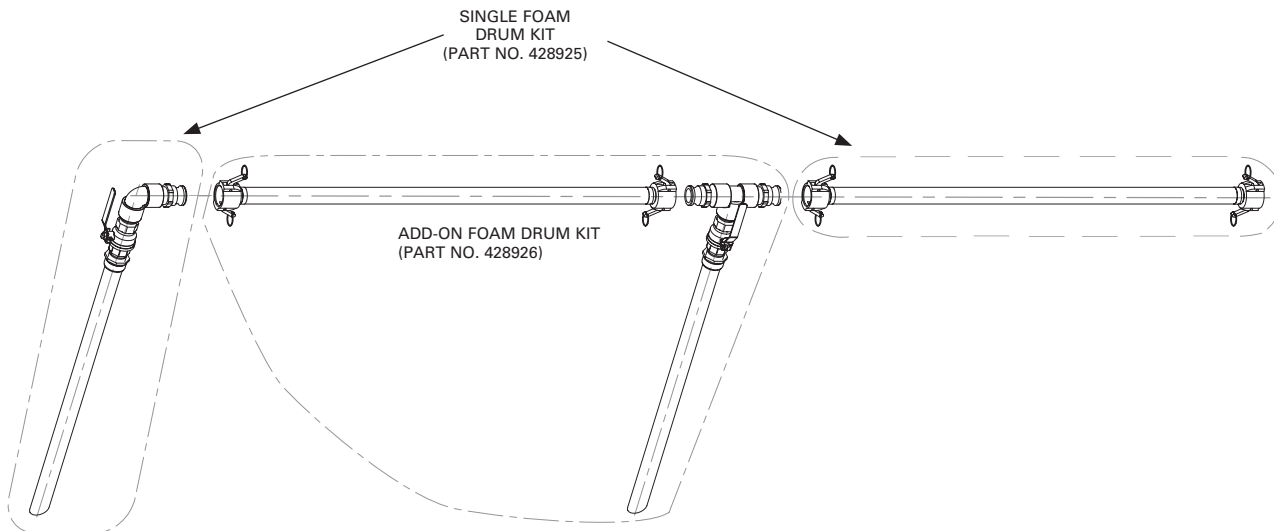
\*The dual drum kit contains the single drum kit (Part No. 428925) and the add-on drum kit (Part No. 428926).

**Note:** The converted metric values in this document are provided for dimensional reference only and do not reflect an actual measurement.

ANSUL®, ANSULITE, and the product names listed in this material are marks and/or registered marks. Unauthorized use is strictly prohibited.



009846



DUAL FOAM DRUM KIT (PART NO. 429414 = SINGLE FOAM DRUM KIT + ADD-ON FOAM DRUM KIT)

009864